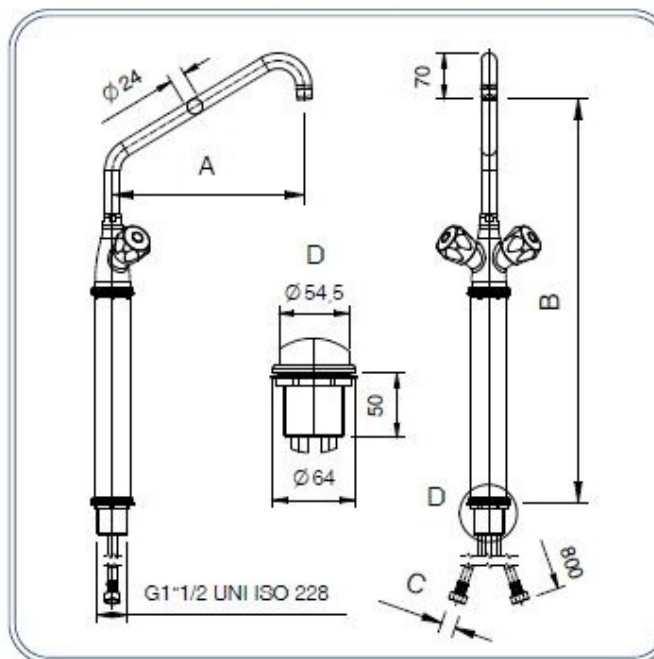


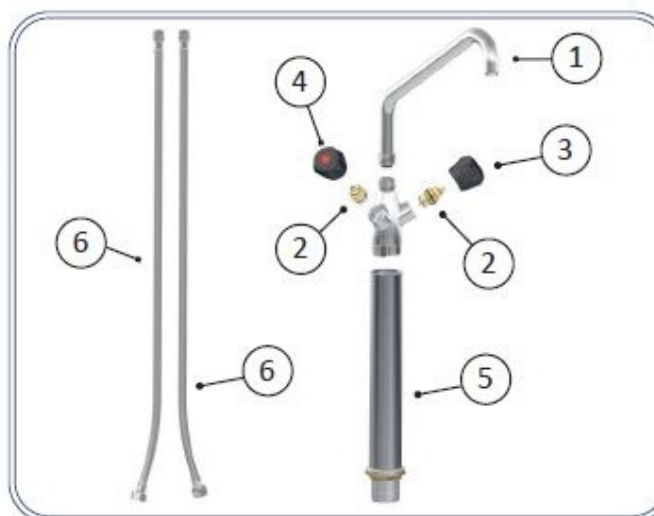
# Rubinetto miscelatore monoforo Big con base lunga maniglia atermica

## Monoblock mixer tap large type with long base and plastic handle



### Dimensioni - Dimensions

A (mm)	B (mm.)	C (in)	Codice (Code)	Note (Notes)
200	570	G1/2" F	00112020	
300	630	G1/2" F	00112030	
400	690	G1/2" F	00112040	



### Ricambi - Spare parts

Pos	Codice (Code)	Note (Notes)
1 (mm.200)	R36100891	
1 (mm.300)	R36100892	
1 (mm.400)	R36100893	
2	R36107386	
3	R36103620	
4	R36103609	
5	R36100440	
6	R31002206	

### Specifiche tecniche - Specifications

Peso - Weight: 3,000 Kg.